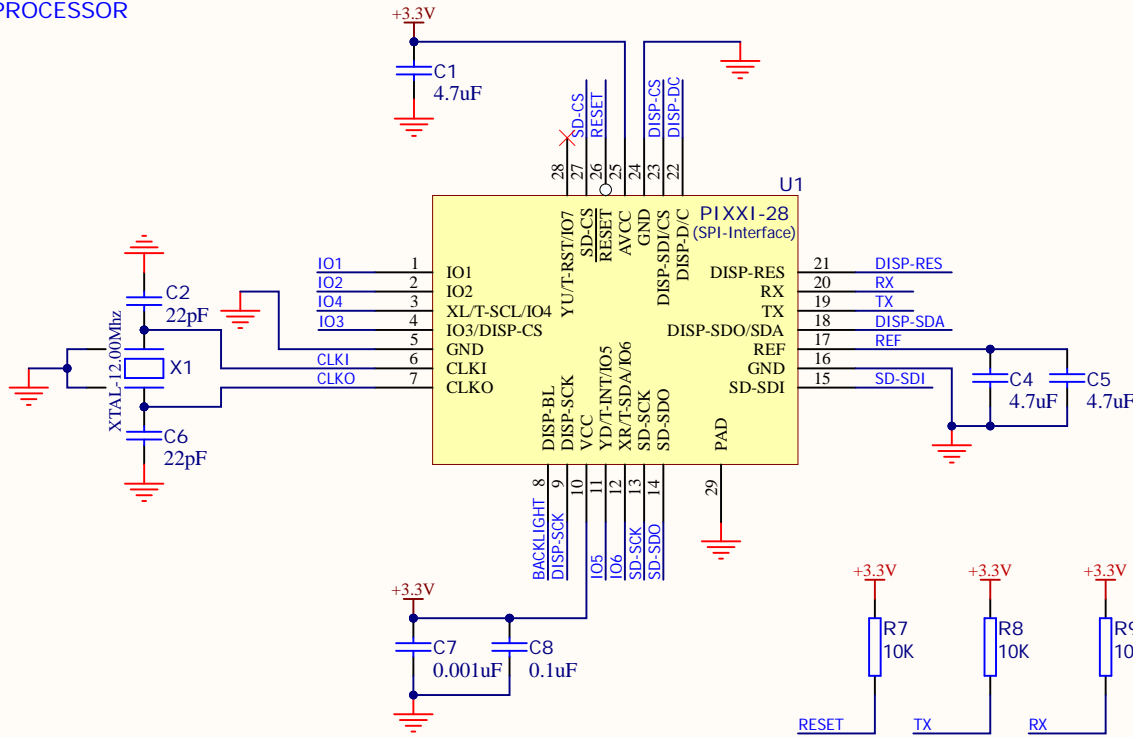
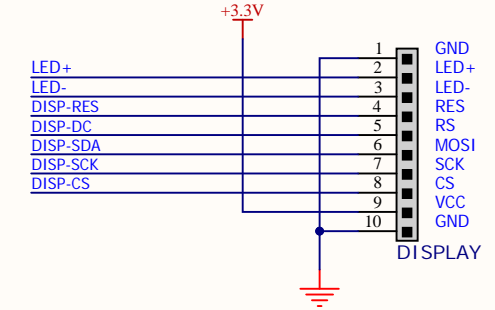


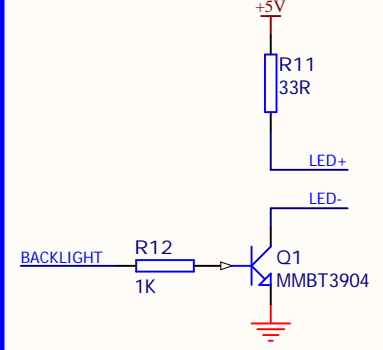
PROCESSOR



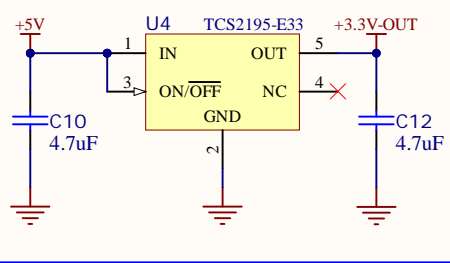
DISPLAY 0.9"



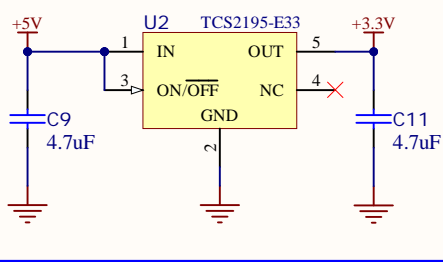
BACKLIGHT



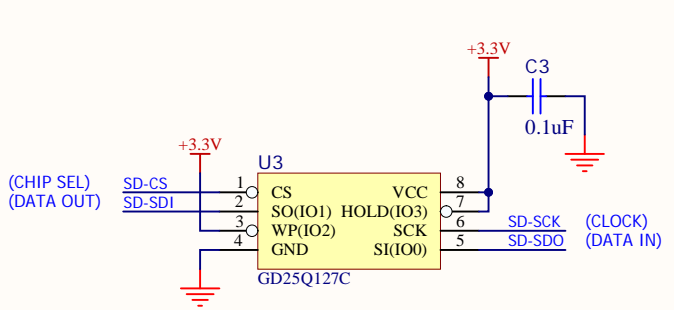
EXT POWER



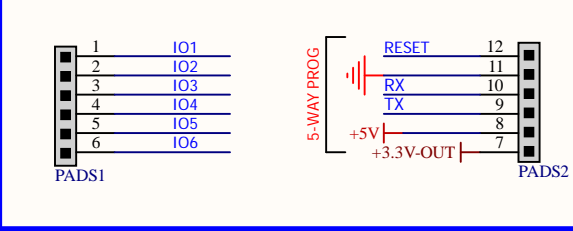
POWER



FLASH MEMORY - SPI BUS



INTERFACE



Title: **BBM-TED-96**

Revision: 1.2

Date: 11/05/2021

<http://www.BreadBoardMates.com>

